

THIS DRAWING IS UNPUBLISHED.

RELEASED FOR PUBLICATION

20

© COPYRIGHT 20 BY -

ALL RIGHTS RESERVED.

LOC X53

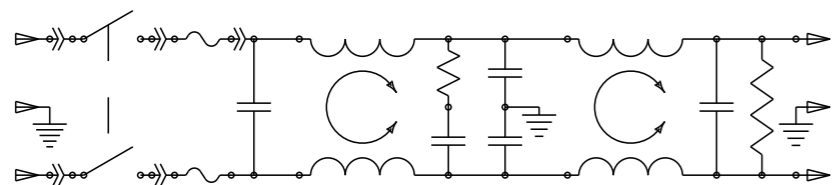
DIST -

REVISIONS

P	LTR	DESCRIPTION	DATE	DWN	APVD
	A	ECO-10-017557	10JAN2012	EC	EC

MINIMUM INSERTION LOSS, 50Ω LINE AND LOAD IMPEDANCES

LINE TO GROUND (COMMON MODE)							LINE TO LINE (DIFFERENTIAL MODE)						
CURRENT RATING	FREQUENCY, MHz						CURRENT RATING	FREQUENCY, MHz					
	.15	.5	1	3	10	30		.15	.5	1	3	10	30
3 AMP	50	60	60	49	40	30	3 AMP	25	60	60	53	45	40
6 AMP	34	58	58	47	37	30	6 AMP	9	50	62	54	46	40
10 AMP	6	35	45	45	38	30	10 AMP	10	20	59	54	48	40

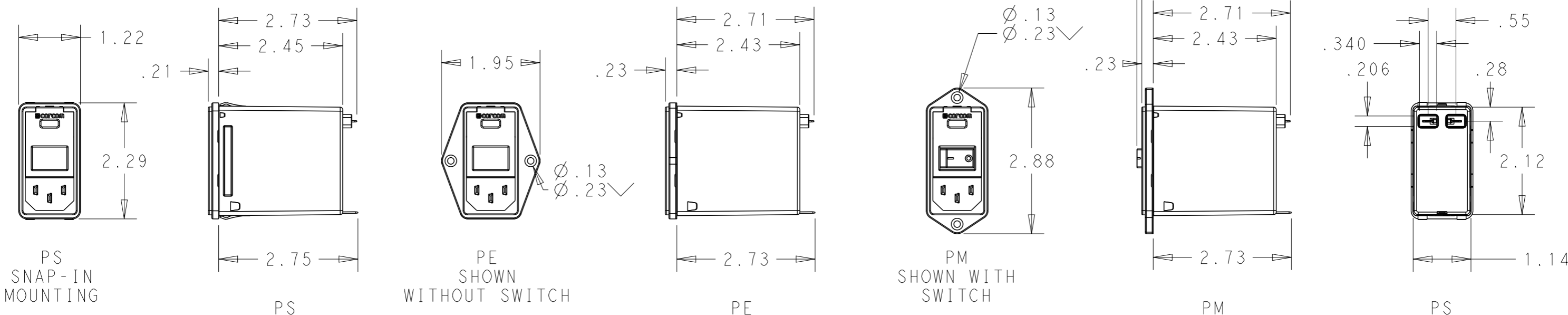


SCHEMATIC

PANEL CUT-OUT



FOR PS VERSIONS THE SHORT EDGES MUST HAVE R.02 ON INSERTION SIDE.
 * FOR PANEL THICKNESS 0.031-0.079 USE 2.201
 FOR PANEL THICKNESS 0.083-0.114 USE 2.213.



PS SNAP-IN MOUNTING

PS

PE SHOWN WITHOUT SWITCH

PE

PM SHOWN WITH SWITCH

PM

PS

PART NUMBER SYSTEM



MOUNTING STYLE
 S = SEE ABOVE
 E = SEE ABOVE
 M = SEE ABOVE

CURRENT
 3 = 3 AMP
 6 = 6 AMP
 X = 10 AMP

SWITCH OPTIONS
 0 = NONE
 S = DOUBLE POLE, SINGLE THROW

PSOS0SM6E EXAMPLE:
 SNAP-IN MOUNTING
 WITH SWITCH
 SINGLE FUSING
 6 AMP
 0'S ARE ZEROS.

FUSE LOCATIONS
 D = DUAL FUSING
 S = SINGLE FUSING
 INCLUDES CONVERSION CLIP

HIPOT RATING (ONE MINUTE)
 LINE TO GROUND: 1500 VAC
 LINE TO LINE: 1450 VDC
 OPERATING FREQUENCY: 50/60 Hz
 RATED VOLTAGE: 120/250 VAC
 FUSING: ACCEPTS 3AG Ø 1/4" X 1-1/4"
 OR METRIC Ø 5 mm X 20 mm
 OPERATING AMBIENT TEMP: -10°C TO 40°C
 STORAGE TEMPERATURE: -40°C TO 85°C

MAX LEAKAGE CURRENT .25mA @ 120V 60Hz
 PER LINE TO GROUND: .50mA @ 250V 60Hz
 HUMIDITY: 21 DAYS, 40°C @ 95%RH
 CURRENT OVERLOAD: 6X RATED FOR 8 SEC
 SWITCH: 10K CYCLES @ 51 AMP INRUSH
 TERMINALS: 0.187" X .032 FASTON TABS
 SAFETY AGENCIES: UL RECOGNIZED, CSA CERTIFIED, VDE APPROVED.

THIS DRAWING IS A CONTROLLED DOCUMENT.		DWN	20DEC2011
		EC	
		CHK	20DEC2011
		APVD	20DEC2011
		FC	
DIMENSIONS: INCHES		PRODUCT SPEC	
TOLERANCES UNLESS OTHERWISE SPECIFIED:		APPLICATION SPEC	
0 PLC ±.2		WEIGHT	
1 PLC ±.1			
2 PLC ±.02			
3 PLC ±.005			
4 PLC ±.0005			
ANGLES ±1			
MATERIAL	FINISH		



NAME			
MEDIUM P SERIES SWITCHED, FUSED, 2-STAGE FILTERED INLET			
SIZE	CAGE CODE	DRAWING NO	RESTRICTED TO
A3	00779	©-MEDIUM-P-SERIES	-
CUSTOMER DRAWING		SCALE 1:2	SHEET 1 OF 1 REV A